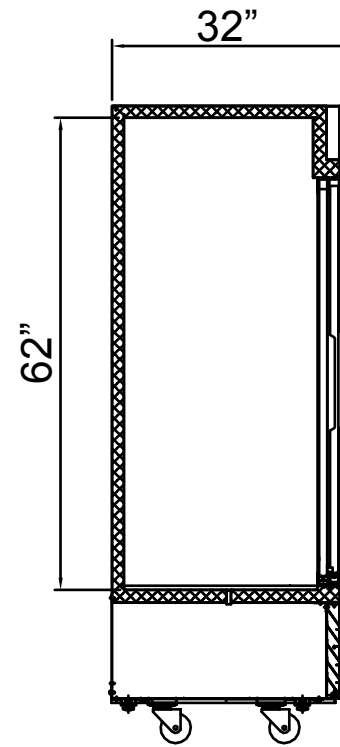
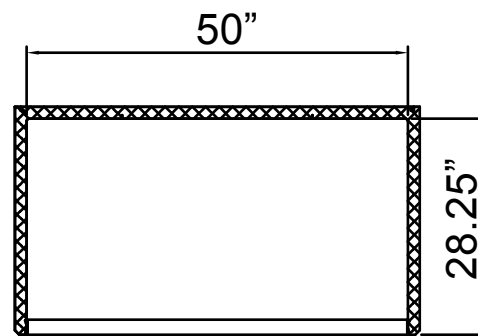


ELEVATION



SECTION VIEW



PLAN

ITEM:  
50032 | 51032